

# INSTALLATION INSTRUCTIONS FOR REPLACEMENT FLUE GROMMET & ACCESSORIES

(KITS: 100327911)

FOR MODELS: FLOOR MOUNT / WALL MOUNT BOILERS 55/56, 85/86, 110/111, 155/156,  
199/200, 285/286, 399 & WALL MOUNT BOILERS & COMBI 80, 110, 150, &199

## ⚠ WARNING

For an appliance already installed, you must turn off gas supply, turn off power, and allow appliance to cool before proceeding. Components may be **HOT!** Failure to comply could result in severe personal injury, death, or substantial property damage.

## Recommended tools:

- Flat Head Screwdriver
- Phillips Head Screwdriver

## Kit components

Kit Number	Part Number	Component Description
100327911	100327907	Barb, Connection
	100318569	Grommet, Rubber, ID .165, OD .56
	100276049	Grommet, Rubber, ID .25, OD .765
	100328189	Clip, Wire Harness
	100328194	Flue Accessories Replacement Card
	100327878	Instruction Sheet

## ⚠ WARNING

Use of any lubrication other than water while installing the grommet could result in deterioration of the grommet which could cause severe personal injury or death.

## Replacement Procedure for Floor Mount Boiler Models 55, 85, 110, 155, 199, & 285 (FIG. 1-1 thru 1-4)

1. Turn OFF power at the source.
2. Turn OFF gas to the appliance.
3. Remove the front access panel (FIG. 1-1).
4. Locate the flue sensor (FIG. 1-2).
5. Remove the flue sensor from its port. If difficult to access, remove control panel.
6. Remove the current flue grommet and install the replacement flue grommet.
7. Insert the flue sensor into the new grommet.
8. Locate the flue sensor harness and remove the tape located approximately 1 ft. from the flue sensor connection (FIG. 1-3 and 1-4).
9. Attach the kit provided clip (100328189) to the left interior side of the unit at the height of the flue sensor (FIG. 1-4.) Route the flue sensor wiring through the clip and ensure that it is not in tension.
10. Review wire routing and ensure that the wires are not touching the water pipes or heat exchanger.
11. Reassemble the unit in reverse order of component removal.
12. Turn ON power and gas to the appliance. Resume operation.
13. Locate and follow instructions on Flue Accessories Replacement Card.

Figure 1-1 Remove front access panel

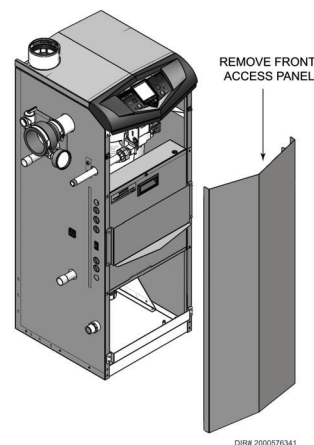
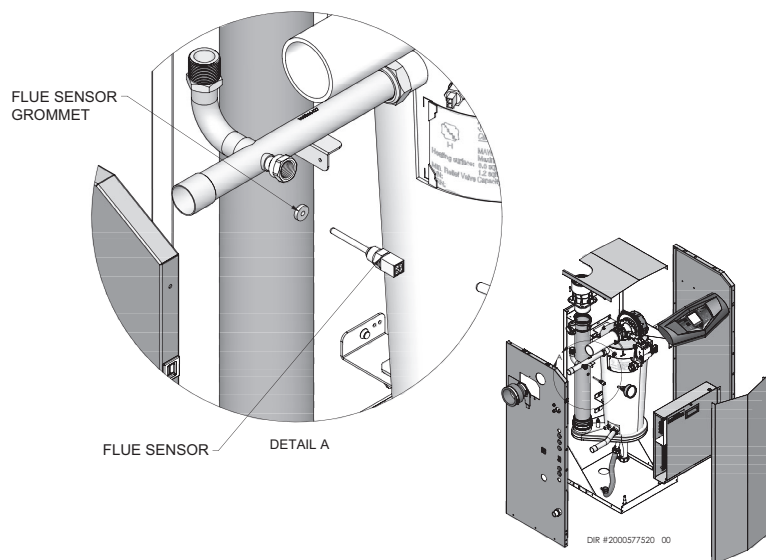
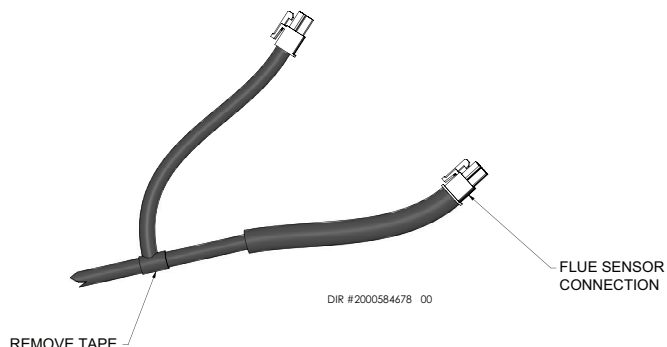


Figure 1-2 Locate flue sensor

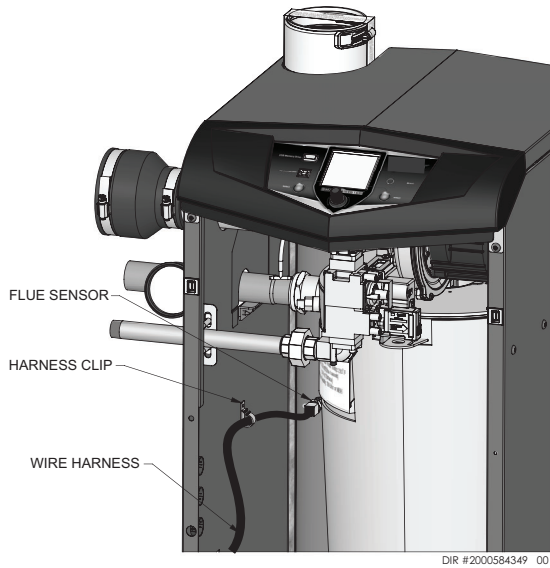


**Note:** Floor mount model shown for illustration purposes only.

Figure 1-3 Remove tape from sensor harness



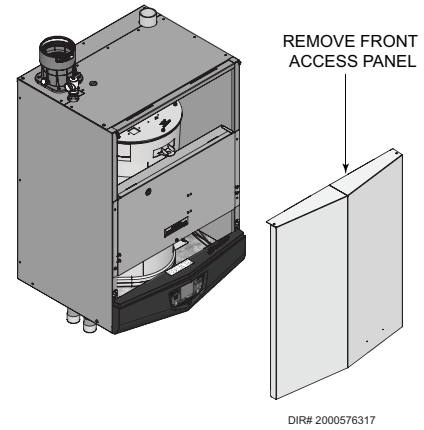
**Figure 1-4 Harness Clip Installation**



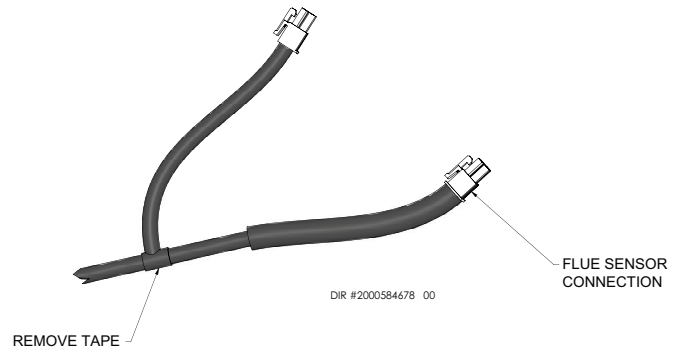
**Replacement Procedure for Wall Mount Boiler Models 55/56, 85/86, 110/111, 155/156, 199/200, 285/286, and 399 (FIG. 2-1 thru 2-3)**

1. Turn OFF power at the source.
2. Turn OFF gas to the appliance.
3. Remove the front access panel (FIG. 2-1).
4. Locate the flue sensor for the specified unit (FIG. 1-2).
5. Remove the flue sensor from its port. If difficult to access, remove control panel.
6. Remove the current flue grommet and install the replacement flue grommet.
7. Insert the flue sensor into the new grommet.
8. Locate the flue sensor harness and remove the tape located approximately 1 ft. from the flue sensor connection (FIG. 2-2 and 2-3).
9. Attach the kit provided clip (100328189) to an open space in the top left area of the back of the control panel (FIG. 2-3). Route the flue sensor wiring through the clip and ensure that the harness is not in tension.
10. Review wire routing and ensure that the wires are not touching the water pipes or heat exchanger.
11. Reassemble the unit in reverse order of component removal.
12. Turn ON power and gas to the appliance. Resume operation.
13. Locate and follow instructions on Flue Accessories Replacement Card.

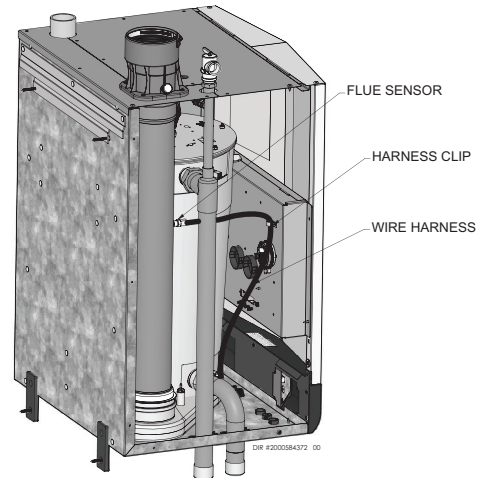
**Figure 2-1 Remove front access panel**



**Figure 2-2 Remove tape from sensor harness**



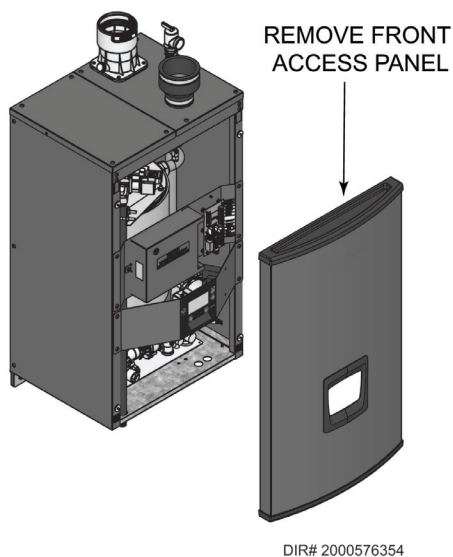
**Figure 2-3 Harness Clip Installation**



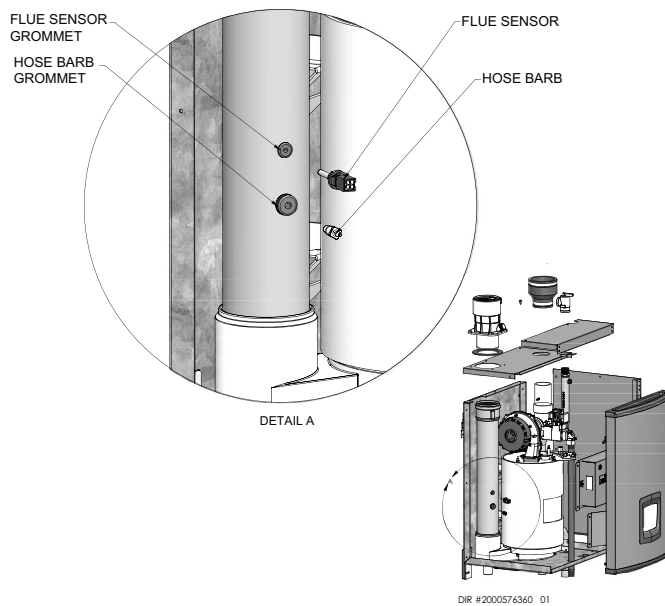
## Replacement Procedure for Wall Mount Boiler & Combi Models 80, 110, 150, & 199 (FIG. 3-1 thru 3-3)

1. Turn OFF power at the source.
2. Turn OFF gas to the appliance.
3. Remove the front access panel (FIG. 3-1).
4. Locate the flue sensor for the specified unit (FIG. 3-2A and 3-2B).
5. Remove the flue sensor from its port. If difficult to access, remove control panel.
6. Remove the current flue grommet and install the replacement flue grommet.
7. Insert the flue sensor into the new grommet.
8. Inspect the flue sensor harness wiring to see if it is in tension. If it is not, skip to Step 11.
9. If needed, attach the kit provided clip (100328189) to the inside of the unit on the same side as the flue sensor (FIG. 3-3, pg. 4). Route the flue sensor wiring harness through the clip and ensure that the harness is not in tension.
10. Review wire routing and ensure that the wires are not touching the water pipes or heat exchanger.
11. Locate the hose barb and remove the attached tubing (FIG. 3-2A and 3-2B).
12. Remove the hose barb and hose barb grommet.
13. Install the kit provided hose barb grommet and hose barb.
14. Attach the removed tubing to the new hose barb.
15. Reassemble the unit in reverse order of component removal.
16. Turn ON power and gas to the appliance. Resume operation.
13. Locate and follow instructions on Flue Accessories Replacement Card.

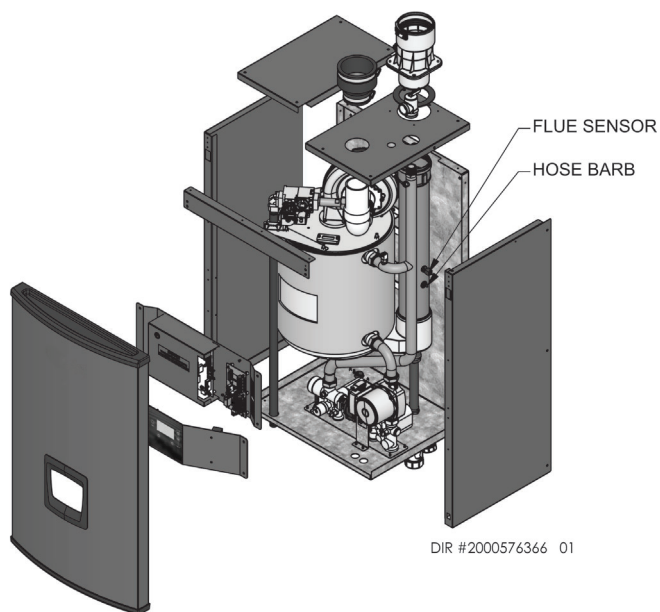
**Figure 3-1 Remove front access panel**



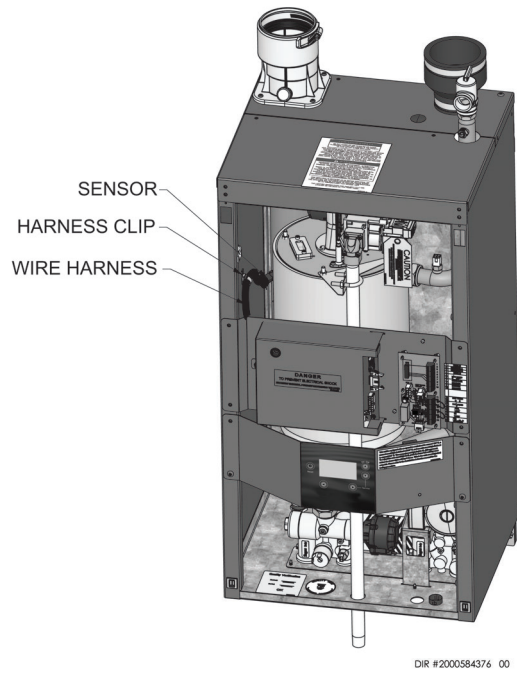
**Figure 3-2A Wall Mount 80 - 110\_Locate flue sensor**



**Figure 3-2B Wall Mount 150 - 199\_Locate flue sensor**



**Figure 3-3 Harness Clip Installation**



**Note:** Combi (or boiler) model shown for illustration purposes only.

**NOTICE**

If additional assistance is needed, please contact Technical Services at 1-800-722-2101.